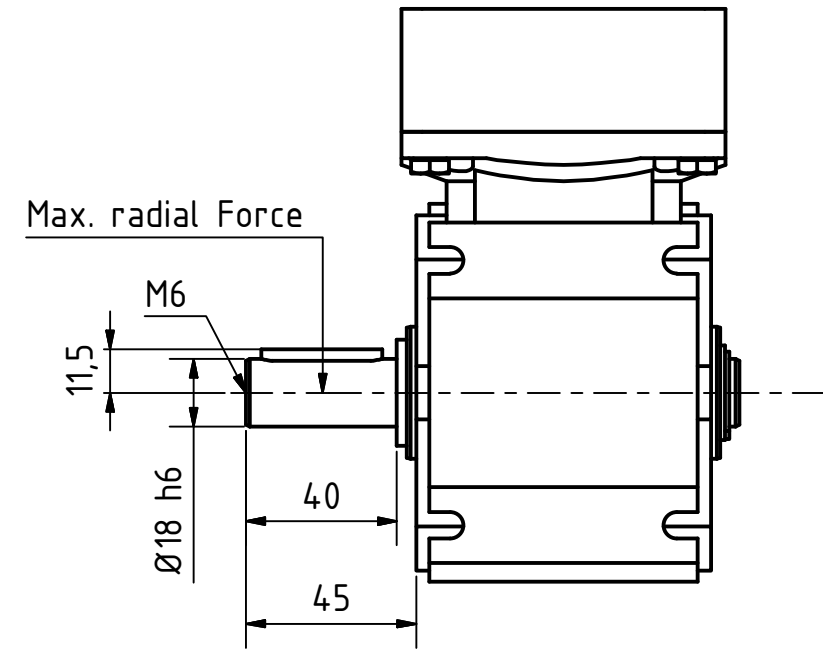
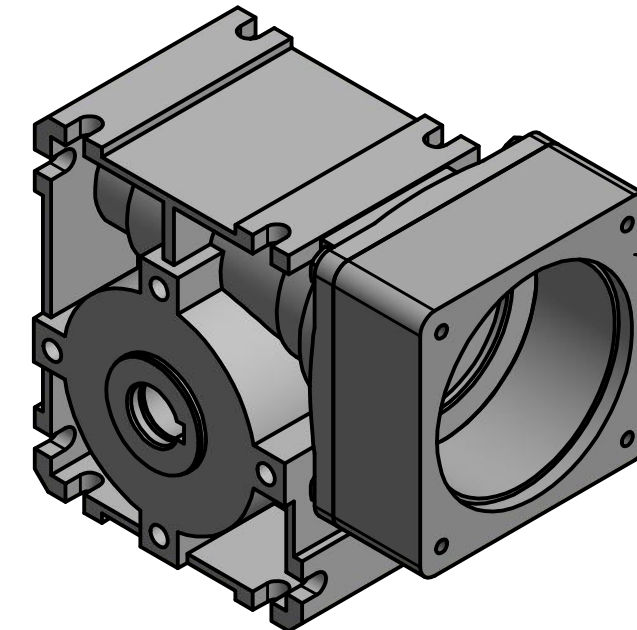
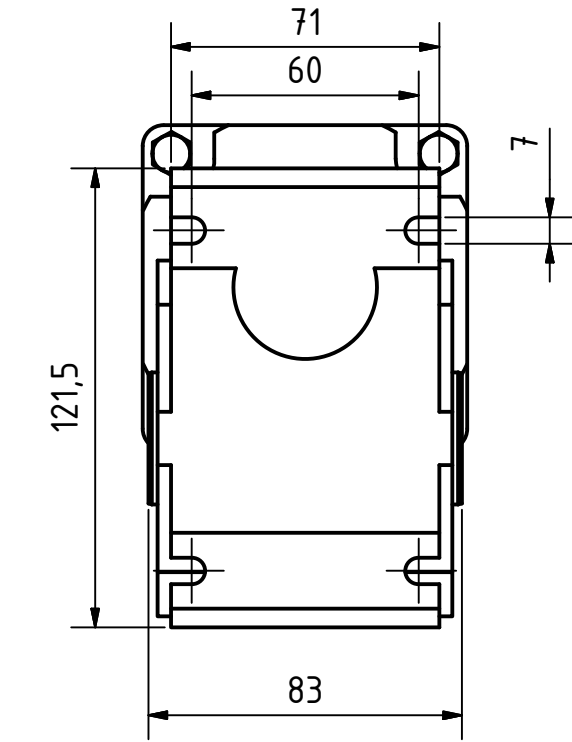
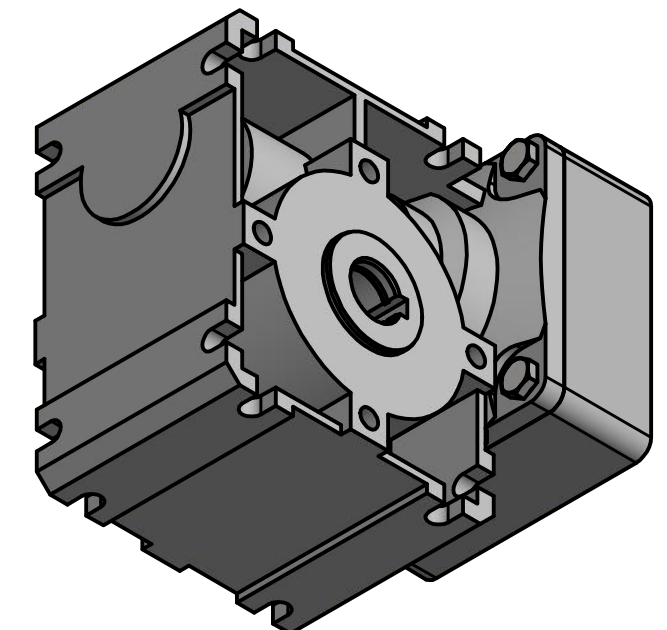
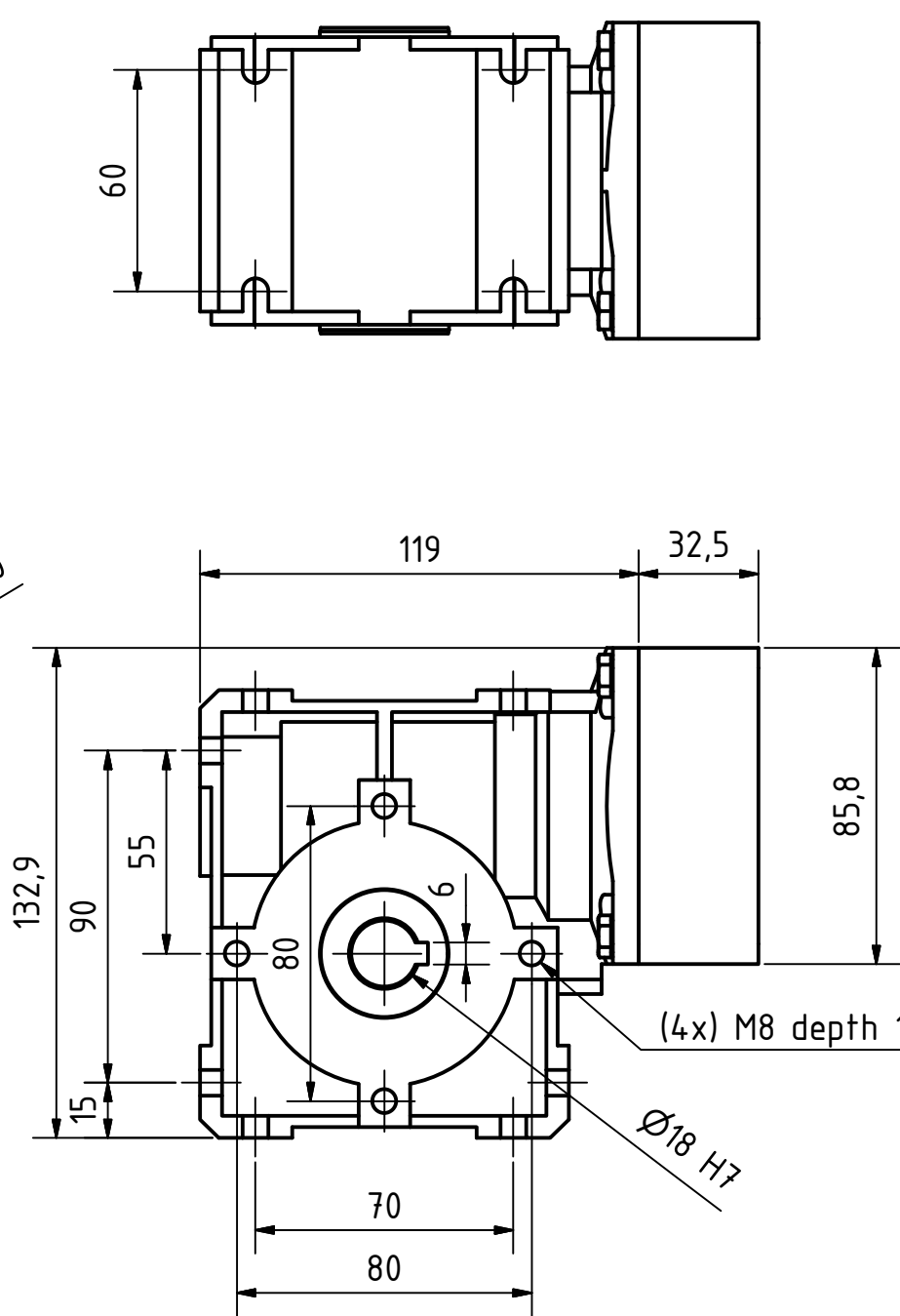
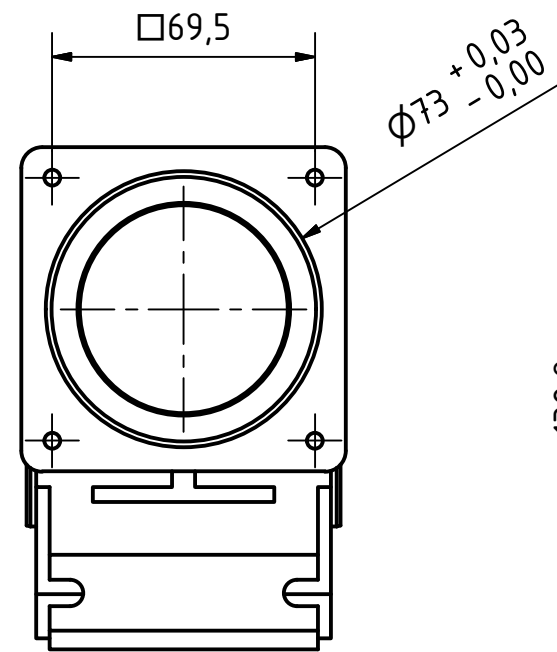
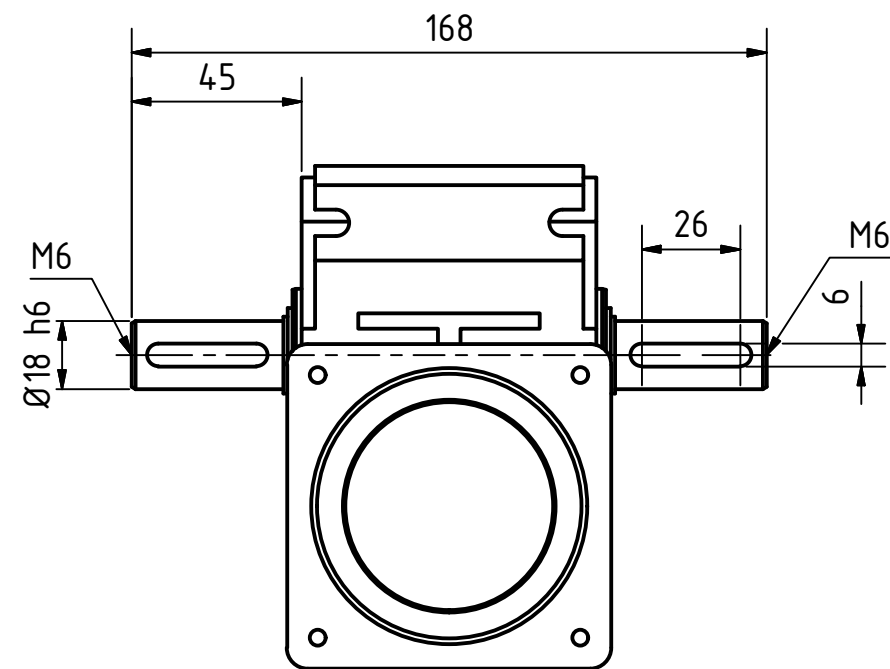


Single shaft MG-EW-GSGE60 (included)  
 Shaft direction can be switched



Double Shaft MG-DW-GSGE60 (not included)  
 Needs to be purchased separately



ISO 8015	ISO 1302	ISO 2768-1 ck	ISO 13715	Weight: 3 kg	
		Date	Name	GSGE80- Nema34 Worm Gear	
		Drawn	knoll_j		
		Checked	seimel_g		
1	updated specification	26.10.2017	knoll_j	GSGE80	1
REV	Änderung	Datum	Name		A3

		Reduction Ratio		
		50	25	12,5
Nominal Output Torque	Nm	67,3	65,6	62,3
Nominal Input Speed	rpm	250	250	250
Max. Input Speed	rpm	1400	1400	1400
Efficiency	%	39	57	72
Lifetime	h	10000	10000	10000
Max. Axial Force	N	3200	3200	3200
Max. Radial Force (single shaft center)	N	2800	2800	2800
Max. Radial Force (hollow shaft center)	N	5600	5600	5600

